



Spare Parts Catalogue

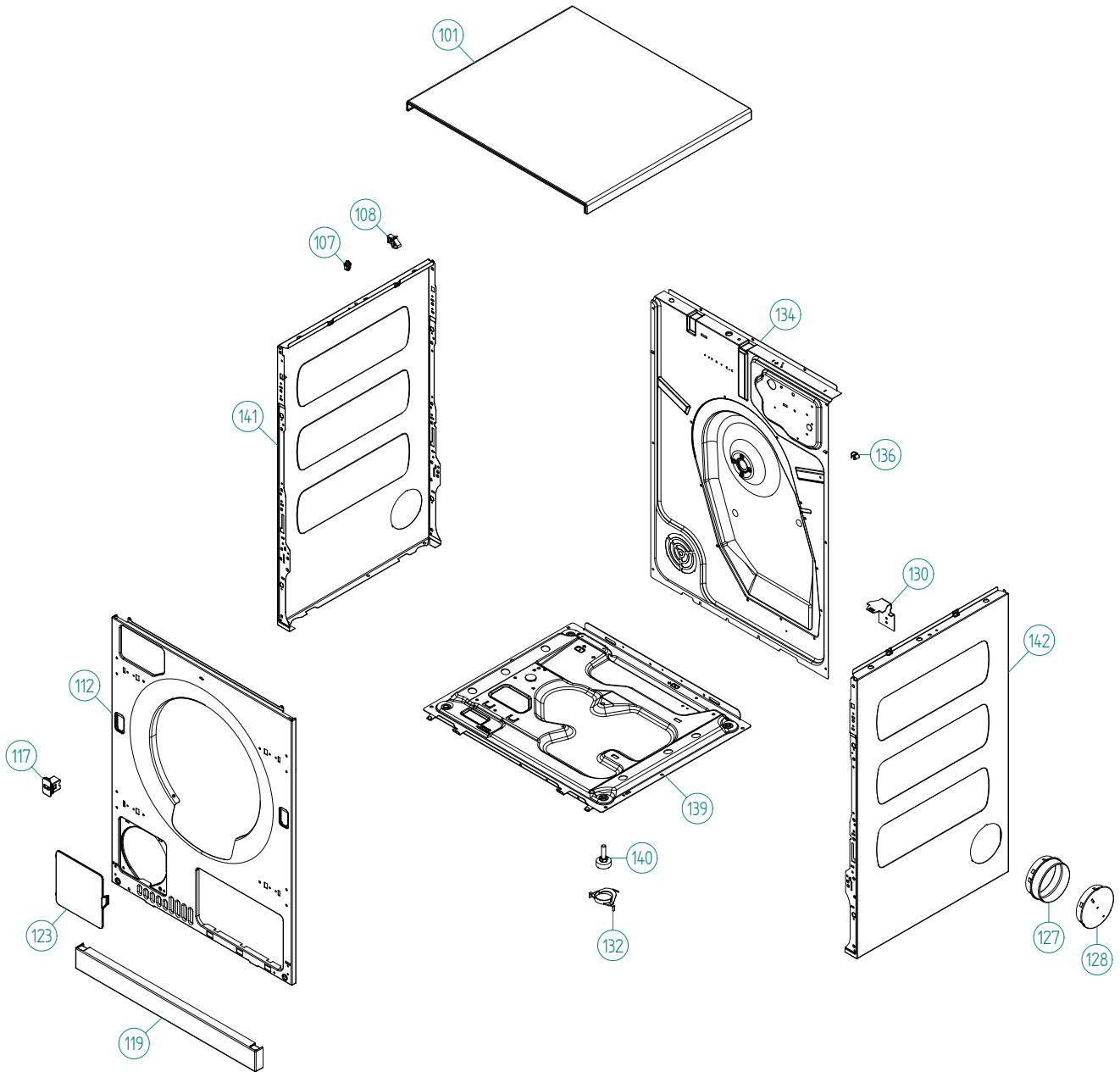
ASKO Tumble Dryers \ ASKO 700 Series
Type: TD60.1
Model: T743 US Titan

Prod. No: 10774306

March 14th 2012

ASKO Appliances Inc.

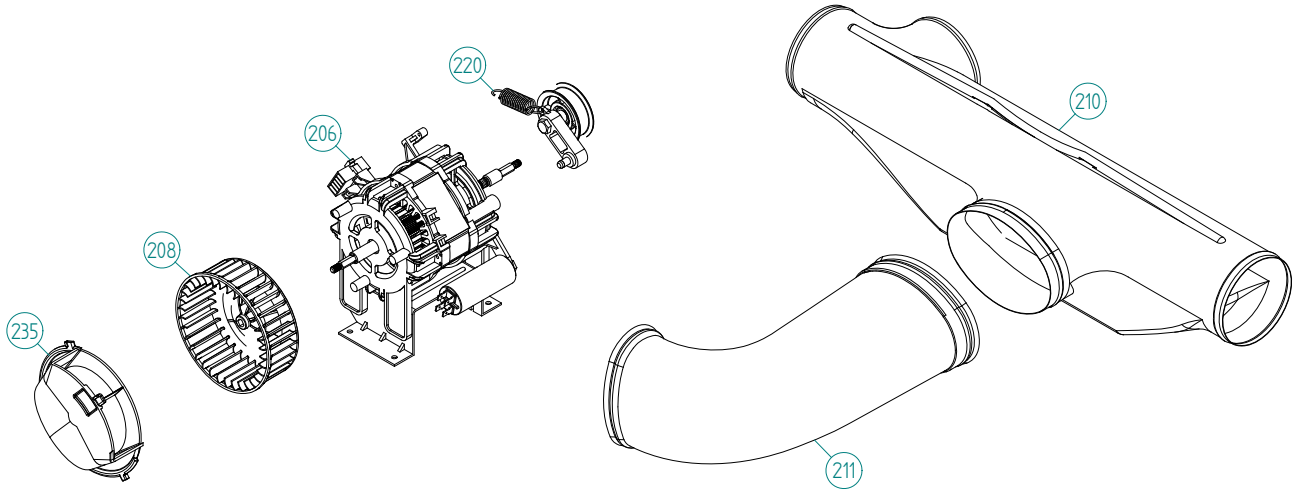
4001 E Plano Parkway #100
4001 E Plano Parkway #100
Plano, Texas 75074



Outer Casing

ASKO, T743 US - Titan (TD60.1)

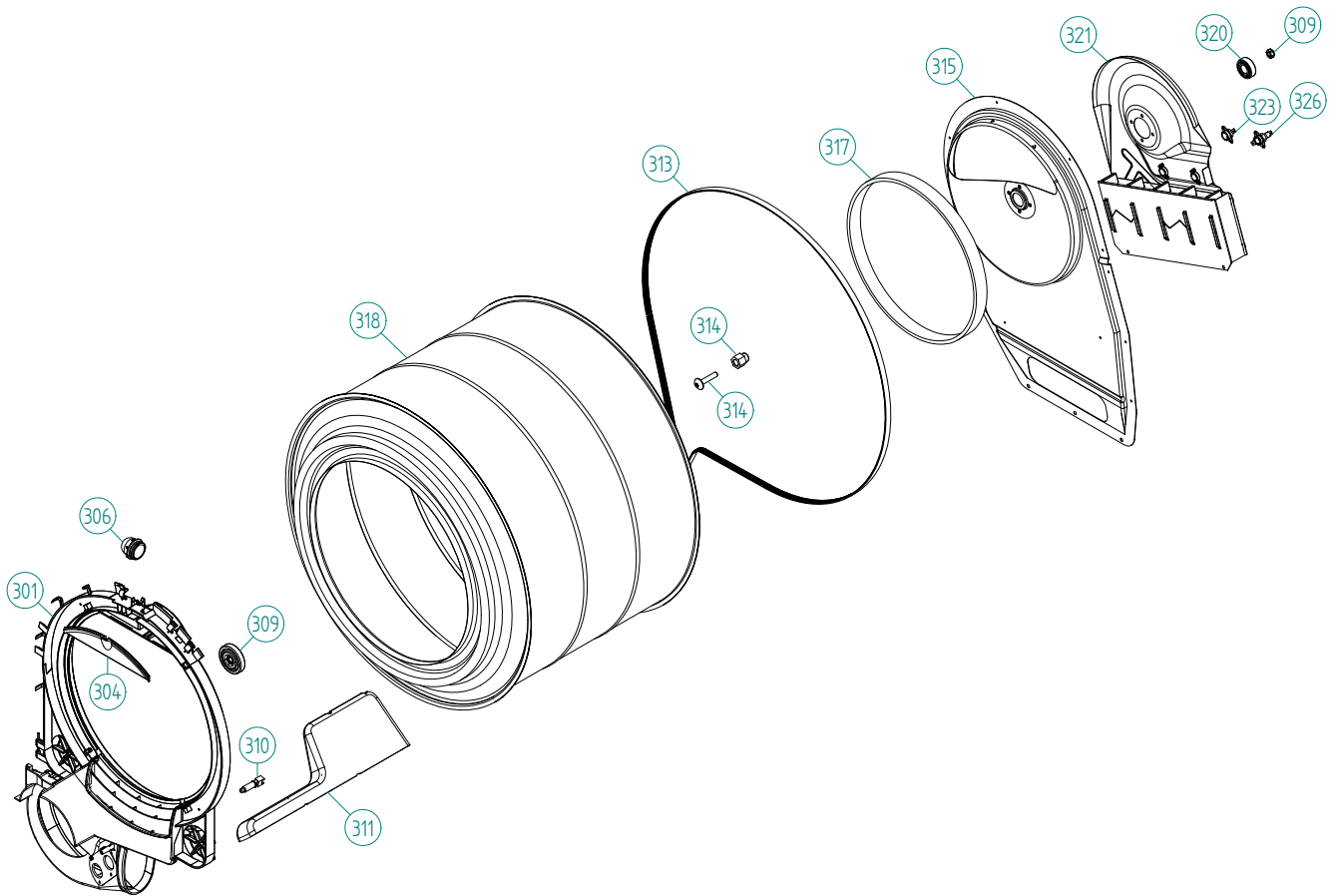
Pos	Spare part No.	Description	Qty	Comment
101	8061817-81	Top WM50 titanium	1 Pc's	
101-a	8902362	Screw 20 Torx Self Tapping	3 Pc's	
101-b	8901413	Lock Washer laundry tops	2 Pc's	
107	8061763	Clip Front Plate 600700s	2 Pc's	
108	8061916	CABLE HOLDER WMD20	2 Pc's	
112	8084382-81	FRONT PANEL TD60.1	1 Pc's	
112-a	8902362	Screw 20 Torx Self Tapping	2 Pc's	
112-b	8900327	Screw 20 Torx Self Tapping	4 Pc's	
117	8093526-81	LOCK PUSH/PUSH	1 Pc's	
119	8076080-81	PLINTH	1 Pc's	
123	8076075-81	COVER FOR FAN HOUSING	1 Pc's	
127	8052641	Collar Vent Exhaust TD	1 Pc's	
128	8052640-81-UL	Exhaust lid titanium	2 Pc's	
130	8053980	Stacking Bracket All TDs	2 Pc's	
132	8064114	Pair, Holders, TD Feet/Stacking	1 Pc's	
134	8076336	REAR PANEL OUTER rpl by 8076336-A	1 Pc's	
134-a	8902362	Screw 20 Torx Self Tapping	10 Pc's	
136	8083561	CABLE HOLDER TD	1 Pc's	
139	8061618	BASE PAN WMD20	1 Pc's	
140	8059334	Leveling Leg Comp WMD 20	4 Pc's	
141	8801175-81	Side left titanium TD30	1 Pc's	
142	8801176-81	Side Right TD30 titanium	1 Pc's	



Lower session

ASKO, T743 US - Titan (TD60.1)

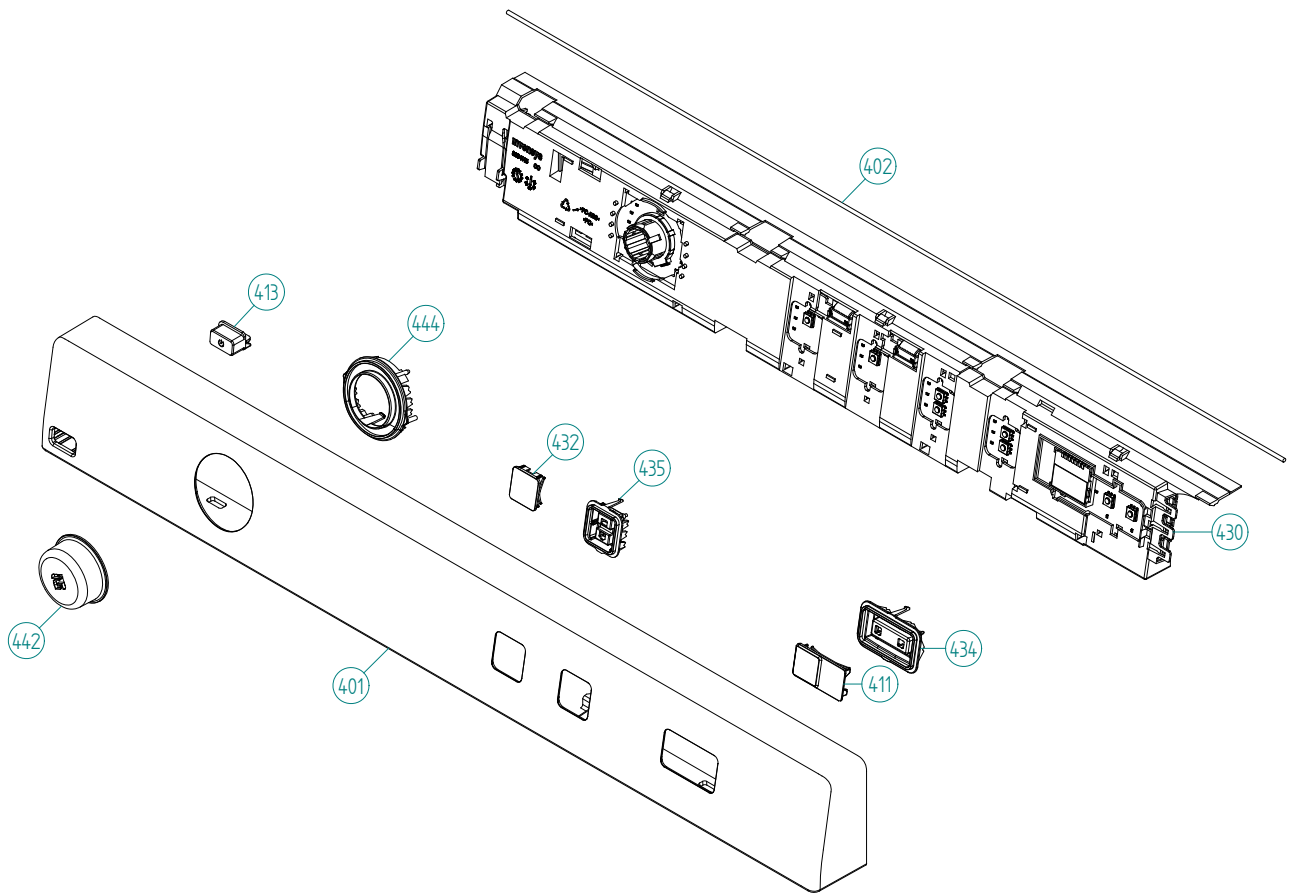
Pos	Spare part No.	Description	Qty	Comment
206	8061895	MOTOR COMPL. 60HZ TD20	1 Pc's	
206-a	8901969	SCREW MRT-TT 5x12 FZB T20	4 Pc's	
206-b	8080119	Capacitor 8UF 450V-Dryer Motor	1 Pc's	
206-c	8054640	CAPACITOR 4UF 400V	1 Pc's	For ACC motor
208	8065797	Fan Impeller 120MM	1 Pc's	
210	8052638	T-Tube w/o Recirc holes	1 Pc's	
211	8052639	Exhaust Canal Bend	1 Pc's	
220	8801490	Tension Wheel w/Belt & Spring	1 Pc's	
235	8077484-49	COVER FOR FAN HOUSING	1 Pc's	



Cylinder and related parts

ASKO, T743 US - Titan (TD60.1)

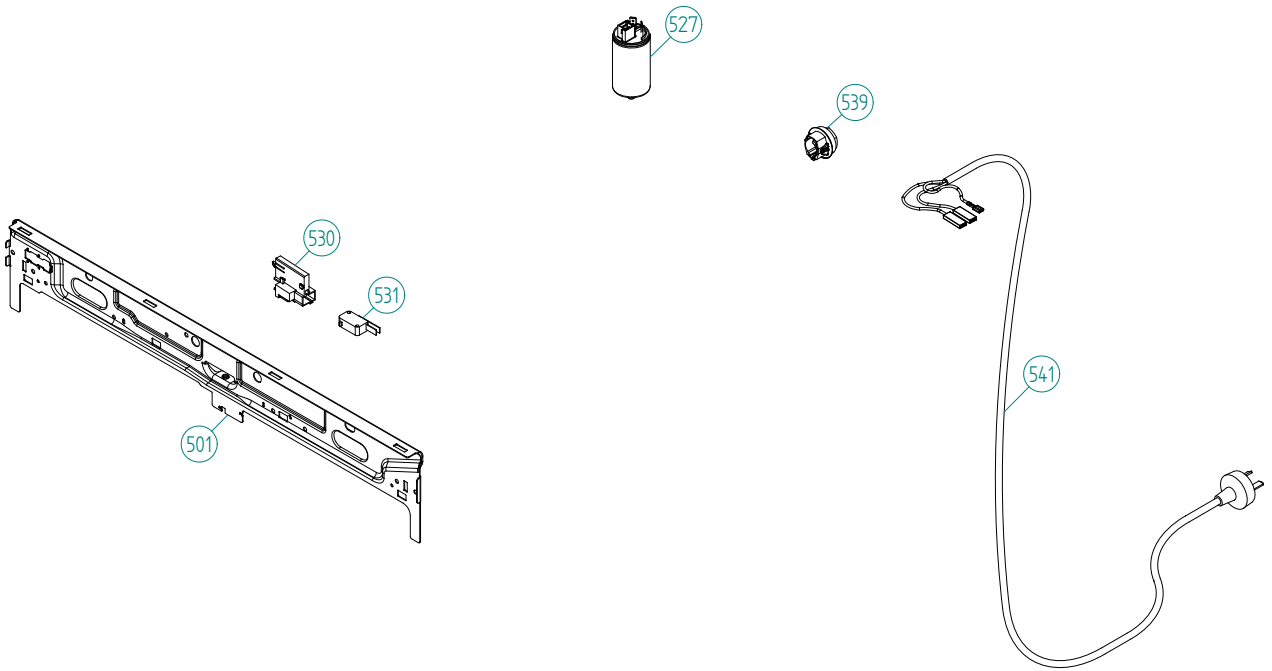
Pos	Spare part No.	Description	Qty	Comment
301	8801322	Front Frame Compl TD60	1 Pc's	
304	8061932-49	Lamp housing lid grey TD21	1 Pc's	
306	8061887	Lamp Chimney	1 Pc's	
309	8052622	Drum Roller Frt TD	2 Pc's	
309-a	8901337	Washer	2 Pc's	
309-b	8901193	Locking Nut	2 Pc's	
309-c	8901028	Screw	2 Pc's	
310	8083344	THERMISTOR TD	1 Pc's	
311	8052589-49	PADDLE TD	2 Pc's	
311-a	8902099	Screw	5 Pc's	
313	8088503	DRIVEBELT 7PH 1970 5D	1 Pc's	
313	8801490	Tension Arm w/Belt & Spring	1 Pc's	
314	8052632	Bushing Rear Drum 03/05 TD	1 Pc's	
314-a	8901130	SCREW A4-MVBF M8X40 7,9-8,0 HG	1 Pc's	
315	8076335	REAR PANEL INNER TD25	1 Pc's	
317	8083190	FELTSEALING REAR W. FOAM	1 Pc's	
318	8079449	CYLINDER COMPL TD	1 Pc's	
318	8079493	CYLINDER COMPL. TD	1 Pc's	
320	8004439	Bearing Dryer Rear Panel All	1 Pc's	
321	8076227	HEATING ELEMENT 3000W TD25	1 Pc's	
321-a	8900369	Screw T25	2 Pc's	
321-b	8901415	LOCK WASHER AZ 5.3 GALV	2 Pc's	
323	8079200	THERMOSTAT 135C TD	1 Pc's	
326	8079737	THERMOSTAT 150C UL	1 Pc's	



Control Panel

ASKO, T743 US - Titan (TD60.1)

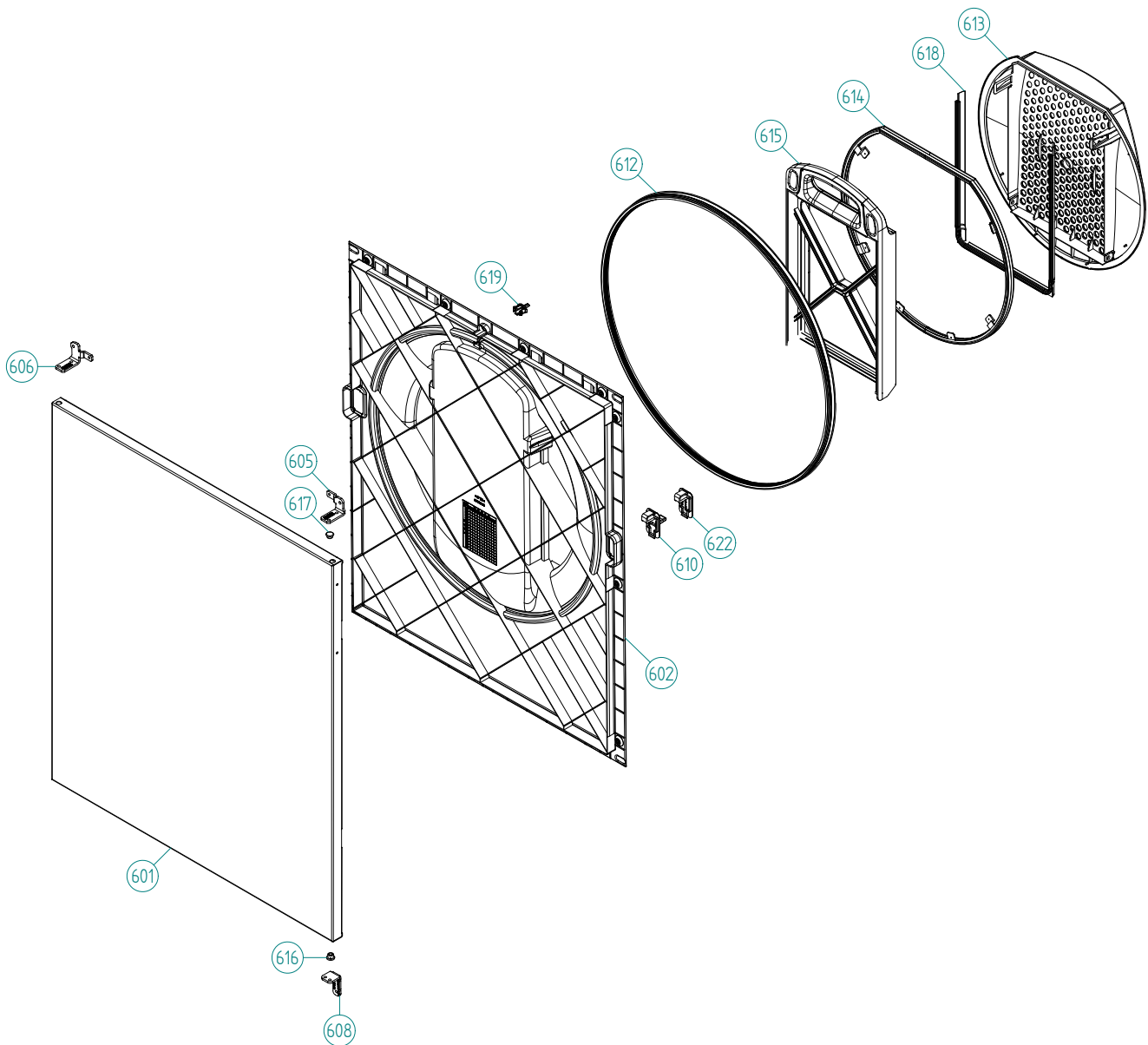
Pos	Spare part No.	Description	Qty	Comment
401	8089150-81-UL	PANEL ASKO T743 US	1 Pc's	
402	8079749	Rubber Seal-Cntrl Panel to Brd	1 Pc's	
411	8083800-81	PUSHBUT. START/STOP PRINTED TD	1 Pc's	
413	8081710-81	PUSHBU. MAINSWITCH WMD60.2 UL4	1 Pc's	
430	8081899	CONTROL UNIT TD60.1 A (BASIC)	1 Pc's	
432	8083233-81	PUSHBUTTON OPTION 1 WMD60.1	2 Pc's	
434	8083237	LENS START STOP WMD60.1	1 Pc's	
435	8083241	LENS OPTION WMD60.1	2 Pc's	
442	8801433-81	KNOB COMPL. WMD60.1 TITANIUM	1 Pc's	
444	8083482	LENS JOGDIAL WMD60.1	1 Pc's	



Upper session

ASKO, T743 US - Titan (TD60.1)

Pos	Spare part No.	Description	Qty	Comment
501	8076029	FRONTBEAM	1 Pc's	
501-a	8902362	Screw 20 Torx Self Tapping	2 Pc's	
501-b	8901413	Lock Washer laundry tops	2 Pc's	
527	8076202	EMC-FILTER WITH INDUCTOR	1 Pc's	
527-a	8901155	Nut	1 Pc's	
527-b	8901419	Lock Washer	1 Pc's	
529	8079842	CABLE SET MO TD UL4	1 Pc's	
529	8079845	CABLE SET Thermistor TD60	1 Pc's	
529	8083027	CABLE SET EL TD UL4	1 Pc's	
529	8082567	CABLE SET P TD UL4	1 Pc's	
529	8083019	CABLE SET LB TD UL4	1 Pc's	
530	8077519	BRACKET FOR DOOR SWITCH	1 Pc's	
531	8073836	MICROSWITCH DOOR	1 Pc's	
539	8006948	Grommet	1 Pc's	
541	8078989	CORD SET 16A EU 90C	1 Pc's	



Outer Door

ASKO, T743 US - Titan (TD60.1)

Pos	Spare part No.	Description	Qty	Comment
601	8076033-81	OUTER DOOR	1 Pc's	
601-a	8900352	Screw Access Panel 05/06	6 Pc's	
602	8076034-49	DOOR INNER PART	1 Pc's	
605	8077599-81	HINGE UPPER R	1 Pc's	
605-a	8900327	Screw 20 Torx Self Tapping	3 Pc's	
605-b	8901097	Screw Terminal	1 Pc's	
605-c	8061804	HINGE PIN	1 Pc's	
606	8079489-81	HINGE UPPER L	1 Pc's	
606-a	8900327	Screw 20 Torx Self Tapping	3 Pc's	
606-b	8901097	Screw Terminal	1 Pc's	
606-c	8061804	HINGE PIN	1 Pc's	
608	8076032-81	HINGE DOOR LOWER	1 Pc's	
608-a	8901097	Screw Terminal	2 Pc's	
608-b	8061804	HINGE PIN	1 Pc's	
610	8077485-49	LOCK CATCH	1 Pc's	
612	8077494	DOOR SEALING OUTER	1 Pc's	
613	8079750-49	Filter Holder Complete	1 Pc's	
614	8065274	Filter Bracket Seal TD	1 Pc's	
615	8077490-49	LINT FILTER COMPL.	1 Pc's	
616	8061865-81	Hinge Bearing 700 Series	2 Pc's	
617	8061953-81	door plug titanium	1 Pc's	
618	8079247	SEALING FILTER BRACKET INNER	1 Pc's	
619	8077488-49	DOOR PIN	1 Pc's	
622	8076079-49	COVER FOR LOCK/LOCK HOOK	1 Pc's	
622	8076079-81	COVER FOR LOCK/LOCK HOOK	1 Pc's	

CABLE POSITIONS

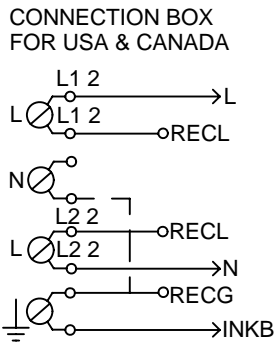
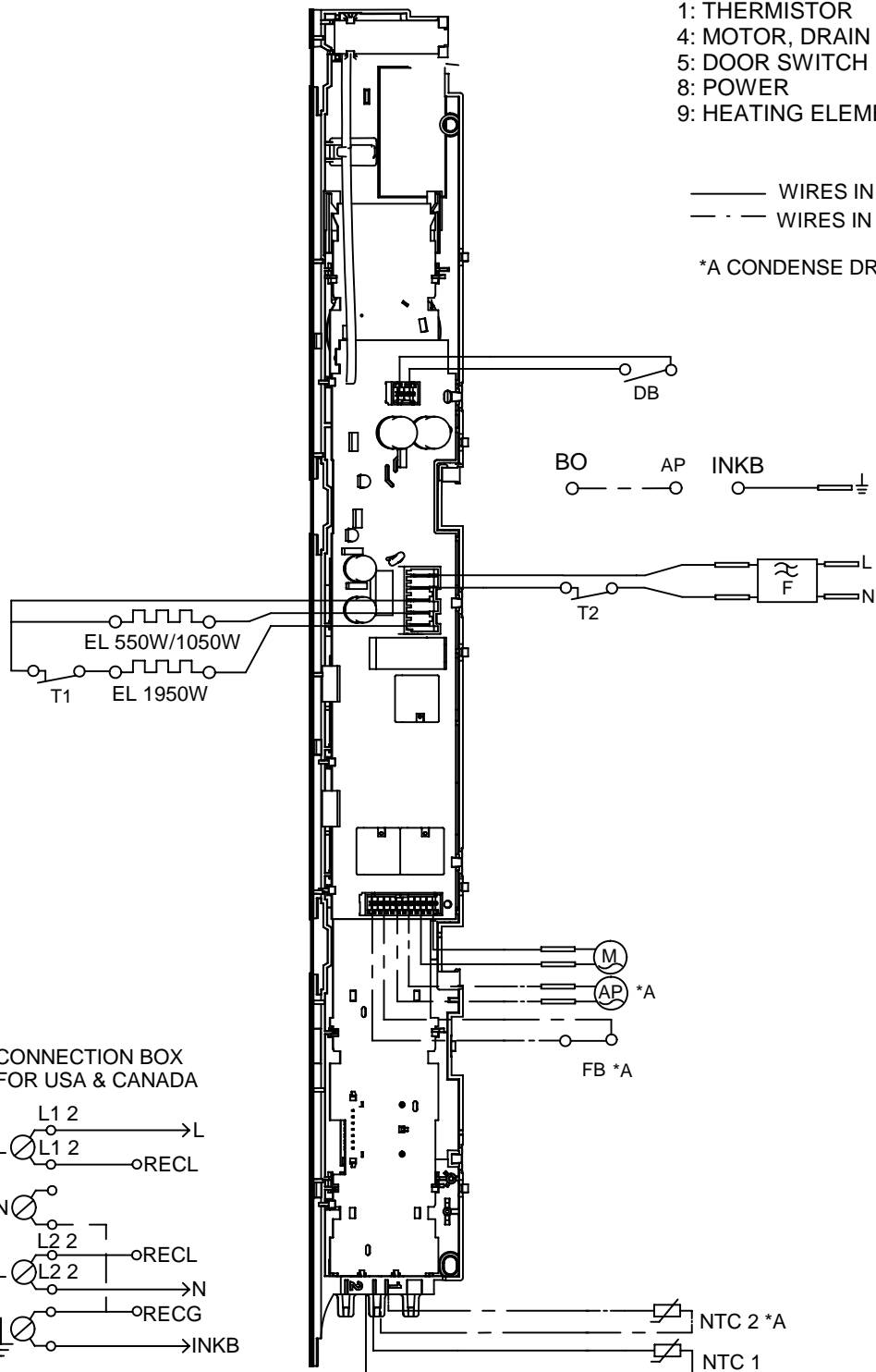
- 1: THERMISTOR
- 4: MOTOR, DRAIN PUMP, FLOAT SWITCH
- 5: DOOR SWITCH
- 8: POWER
- 9: HEATING ELEMENT

—— WIRES IN ALL MACHINES
 - - - WIRES IN SOME MACHINES

*A CONDENSE DRYER

RESISTANCES AT ROOM TEMPERATURE (CA. 20°C/68°F)
 VALUES WITH +/-10% ARE REGARDED AS NORMAL
 COMPONENT

- F: RADIO INTERFERENCE SUPPRESSION FILTER 680K Ohm
- NTC 1: THERMISTOR 1 4 - 6 K Ohm
- NTC 2: THERMISTOR 2: 4 - 6 K Ohm
- AP: DRAIN PUMP: 111 Ohm
- EL: HEATING ELEMENT 550W 91.4 Ohm
- EL: HEATING ELEMENT 1050W 45.3 Ohm
- EL: HEATING ELEMENT 1950W 20.5 Ohm
- MO: MOTOR
- T1: THERMOSTAT, OVERHEATING (HEATER)
- T2: THERMOSTAT, FAN HOUSING
- FB: FLOAT SWITCH
- DB: DOOR SWITCH



TOTAL RESET

- TURN OFF POWER (S1)
- WAIT FOR AT LEAST 5 SEC
- HOLD STOP (S11)
- TURN ON POWER (S1)

SERVICE MENU

- TURN OFF POWER (S1)
- WAIT FOR AT LEAST 5 SEC
- HOLD S10
- TURN ON POWER (S1)
- PRESS S10 5 TIMES TO ENTER SERVICE MENU

- PRESS STOP (S11) TO CHANGE MENU STEP
- ROTATE DIAL TO CHANGE IN STEP
- PRESSING START (S10) STORES AND EXITS SERVICE MENU

2009-09-03

CIRCUIT DIAGRAM TD60.1

80 820 34 - 01

This document must not be copied without our written permission, and the contents thereof must not be imparted to a third party nor be used for any unauthorized purpose. Contravention will be prosecuted. Asko Appliances AB